

# METAL FORM™

[www.metalform.uk](http://www.metalform.uk)

Functional transparency:  
Design-oriented and individual

Curtain wall systems from RP Technik

Mullion-transom curtain wall system, steel add-on curtain walls, and wood and aluminium add-on curtain walls

METAL  
FORM

In partnership with

rp  
technik  
profile systems

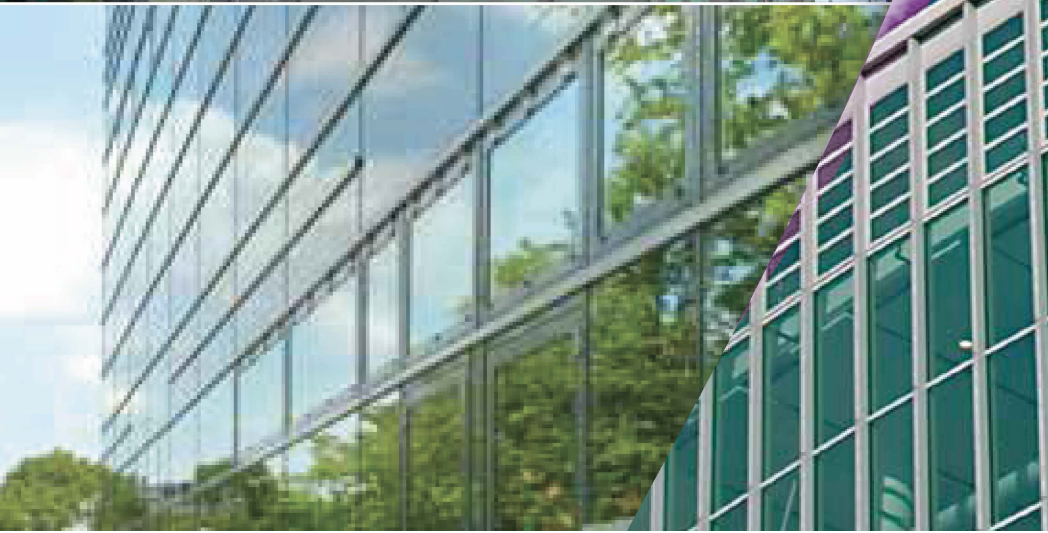




## Unique design and innovation with expertise

With **RP's curtain wall systems**, many architects and metalworkers have given buildings worldwide their distinctive features. Owing to its material properties, steel makes it possible to achieve the very transparent structures required by cutting-edge designs. In consultation with planners and users, the systems are continually being optimised.

**Individualised and detailed planning** for large-scale projects is what characterises the specialists at RP Technik. Numerous examples, from office and trade fair buildings to shopping malls, railway stations or airports demonstrate the ways RP curtain wall systems made of steel can be used in filigree and unusual architecture.



O<sub>2</sub> World



### UNIQUE DESIGN

With RP's curtain wall systems, many architects and metalworkers have given buildings worldwide their distinctive features. Owing to its material properties, steel makes it possible to achieve the very transparent structures required by cutting-edge designs.

### NARROW FACE WIDTHS AND LOW CONSTRUCTION DEPTHS

The curtain wall systems from RP Technik are characterised by particularly narrow face widths. Compared to an aluminium curtain wall, 36% less depth is required for an RP Technik steel curtain wall.

### WIDEST POSSIBLE SPANS

The steel systems from RP Technik are real powerhouses amongst curtain wall systems and meet the highest static requirements - making extraordinary spans possible. Even seemingly impracticable slender geometries with high glass weights can be realized by the overall concept of the systems.

## Your advantages in focus

Particularly narrow face widths with an extraordinary load-bearing capacity allow for maximum freedom of design.

### Technical properties:

- Wind pressure EN 13116: Pressure up to 3.0 kN/m<sup>2</sup> and suction to -4.8 kN/m<sup>2</sup>
- Air permeability EN 12152: AE
- Tightness against driving rain force EN 12152: RE / ENV 13050: 400 Pa. / 1200 Pa.
- Heat insulation with rectangular foam piping from  $U_f = 0.87 \text{ W/(m}^2\text{K)}$
- High heat insulation with double foam piping from  $U_f = 0.56 \text{ W/(m}^2\text{K)}$
- Impact strength 14019: E5/15
- Break-in resistance RC2 and RC3
- Sound insulation up to  $R_w \text{ (C; Ctr)} = 47 \text{ (-2; -7) dB}$
- Bullet resistant DIN EN 1522 for RP-tec 55-1: FB 4 NS
- Structural glazing / all-glass curtain wall with weather sealing
- Hilti direct fastening system for fixing the base profile on a steel substructure
- MAG-hole spot welding, suitable for subsequently galvanizing parts
- Nail method for fixing basic profile to a wooden substructure
- 0° roof testing according to EN 13830 / system release for overhead glazing up to 5° incline
- Bullet proofing FB7 with the RP-ISO-hermetic 60N system

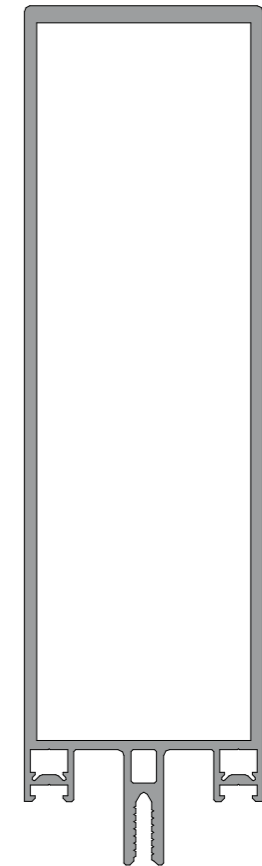


## Your advantages in focus

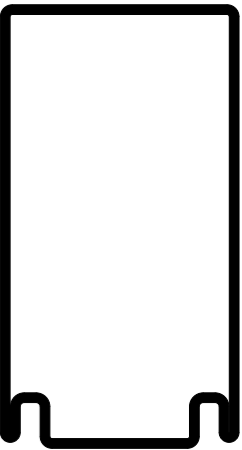
36% lower construction depth with RP Technik steel curtain wall

### Advantages of steel over aluminium:

- The larger span widths of steel curtain walls result in higher transparency with less material usage.
- With the same profile cross-sections, larger spans can be achieved with steel profiles.
- Due to a modulus of elasticity that is 3 times higher than aluminium, steel has a much higher static load capacity.
- With the same profile cross-sections, the deflection is 3 times lower for steel than for aluminium.
- With the same load and deflection, smaller steel profiles may be used.
- Lightweight steel constructions offer the optimum conditions for visual comfort.
- A slender supporting structure allows for a wide range of design freedom and innovative building structures.



Aluminium



Steel



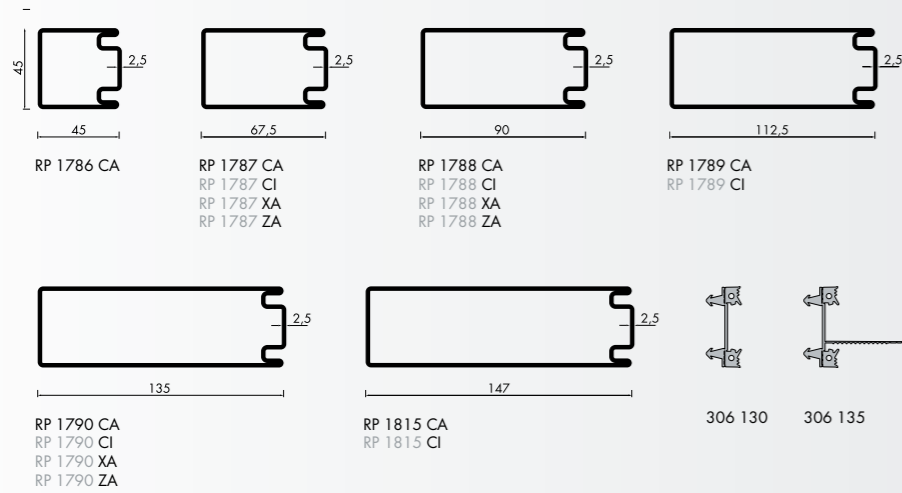
Steel curtain wall



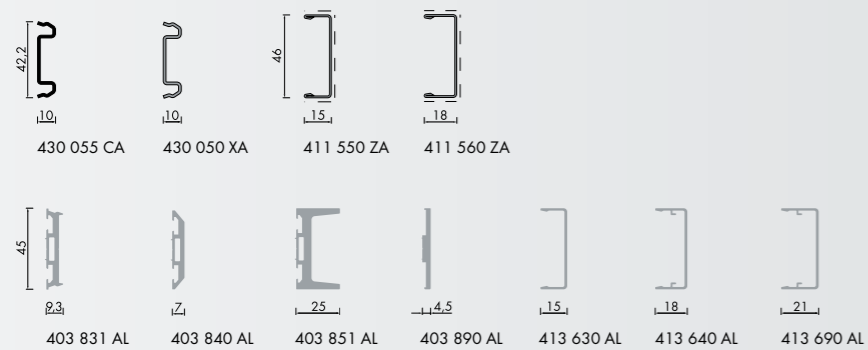
Aluminium curtain wall

# RP-ISO-hermetic 45N

Mullion-transom curtain wall systems



## Pressure profiles / cover profiles

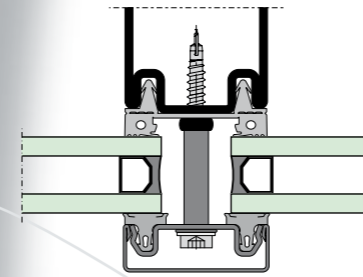


## Gaskets

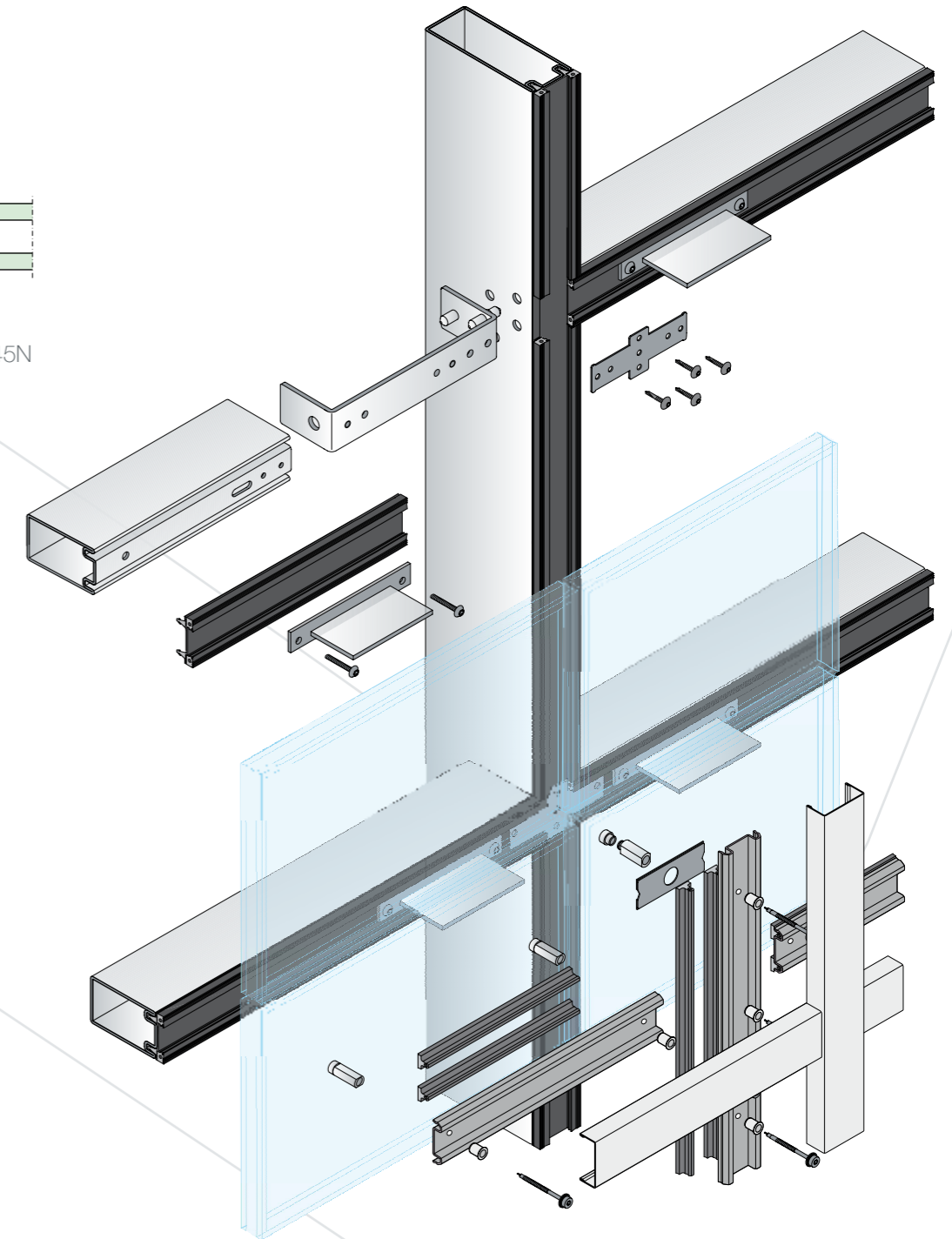


- AA = steel S235 JR bright rolled, 6.000 mm
- CI = steel continuously hot dip coated, 7.500 mm
- CA = steel continuously hot dip coated, 6.000 mm
- CR = steel continuously hot dip coated, 3.000 mm
- XA = stainless steel 1.4301 (304), surface raw material 2B, 6.000 mm
- XR = stainless steel 1.4301 (304), surface raw material 2B, 3.000 mm
- ZA = stainless steel 1.4301 (304), outer surface ground, size 220-240, foiled, 6.000 mm
- ZR = stainless steel 1.4301 (304), outer surface ground, size 220-240, foiled, 3.000 mm
- AL = aluminium EN AW 6060, state T66, 6.000 mm
- ▲ = Chloroprene
- ° = self-adhesive

## System section

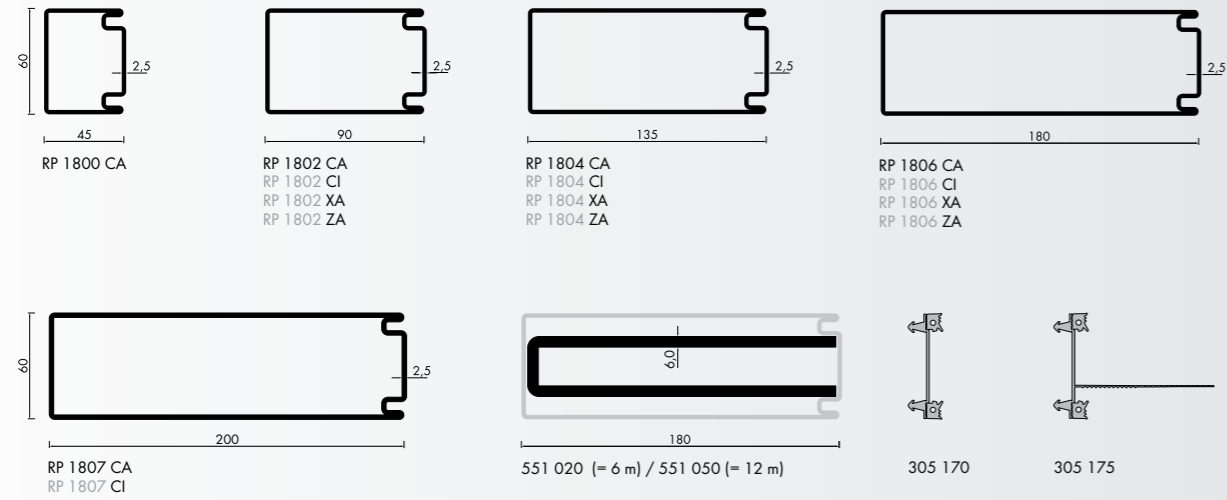


RP-ISO-hermetic 45N

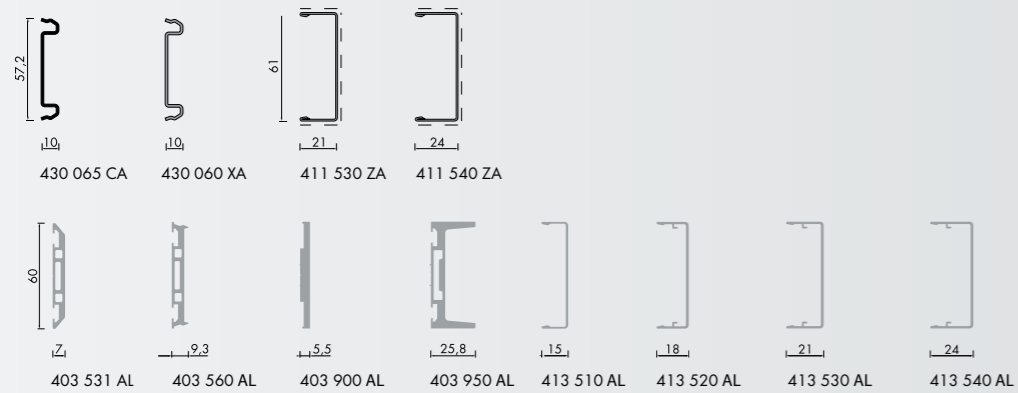


# RP-ISO-hermetic 60N

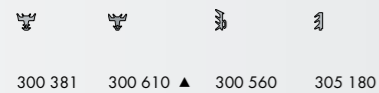
Mullion-transom curtain wall systems



## Pressure profiles / cover profiles

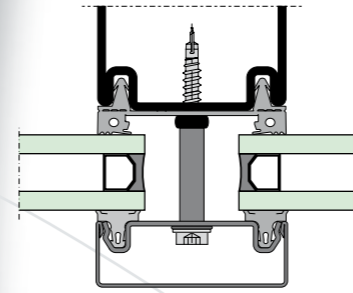


## Gaskets

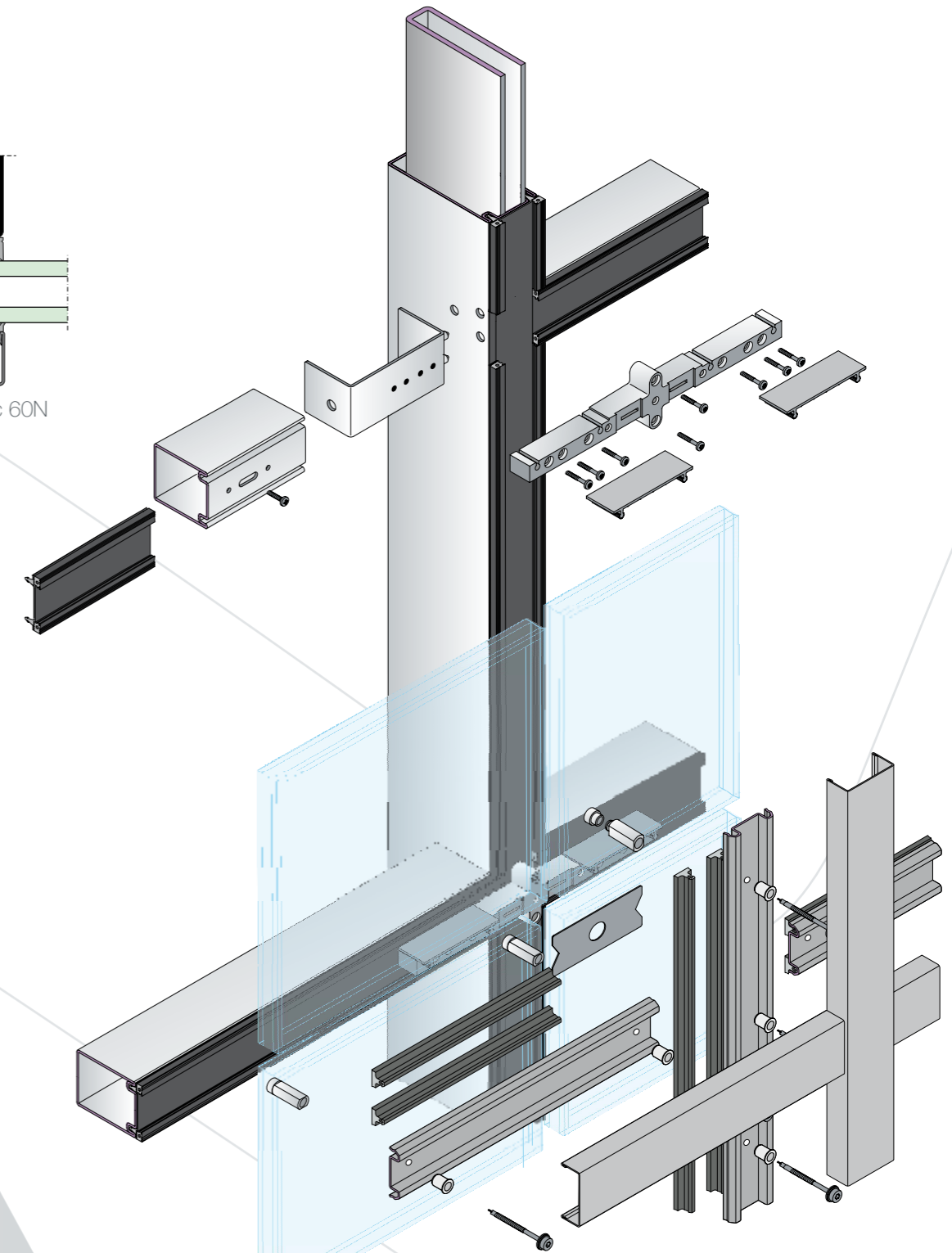


- AA = steel S235 JR bright rolled, 6.000 mm
- CI = steel continuously hot dip coated, 7.500 mm
- CA = steel continuously hot dip coated, 6.000 mm
- CR = steel continuously hot dip coated, 3.000 mm
- XA = stainless steel 1.4301 (304), surface raw material 2B, 6.000 mm
- XR = stainless steel 1.4301 (304), surface raw material 2B, 3.000 mm
- ZA = stainless steel 1.4301 (304), outer surface ground, size 220-240, foiled, 6.000 mm
- ZR = stainless steel 1.4301 (304), outer surface ground, size 220-240, foiled, 3.000 mm
- AL = aluminium EN AW 6060, state T66, 6.000 mm
- ▲ = Chloroprene
- = self-adhesive

## System section

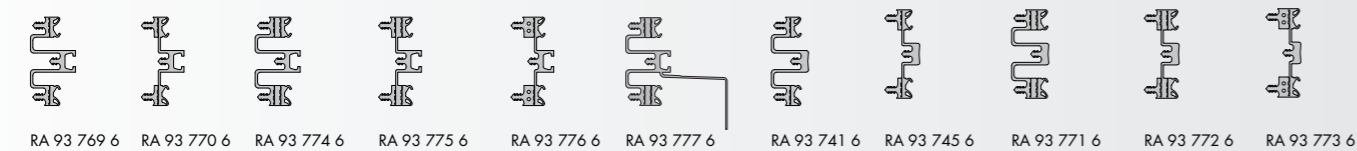
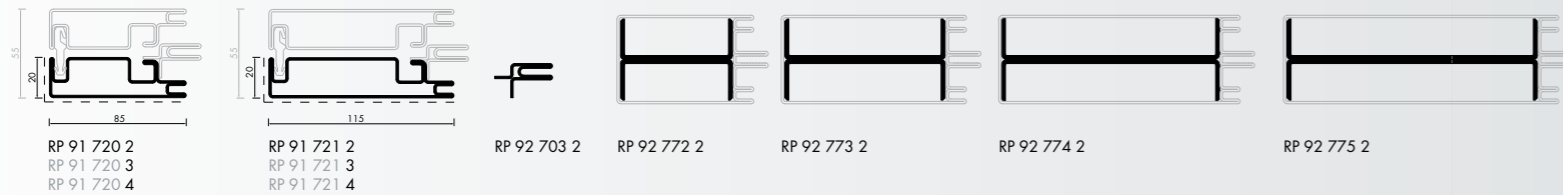
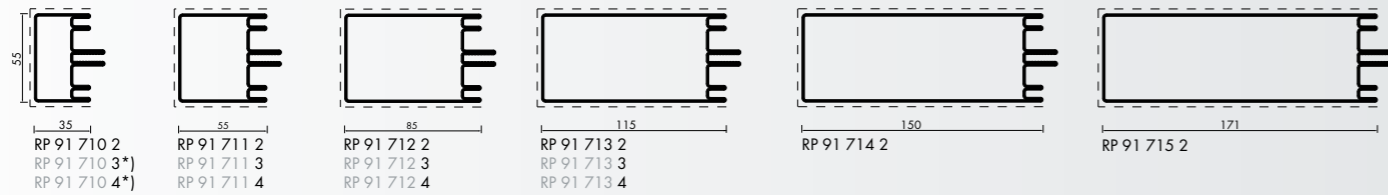


RP-ISO-hermetic 60N

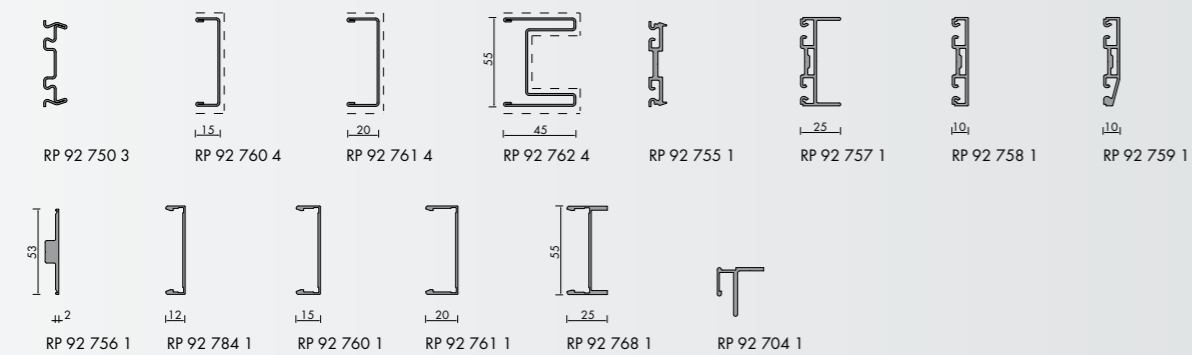


# RP-tec 55 / 55 plus

Mullion-transom curtain wall systems



## Pressure profiles / cover profiles



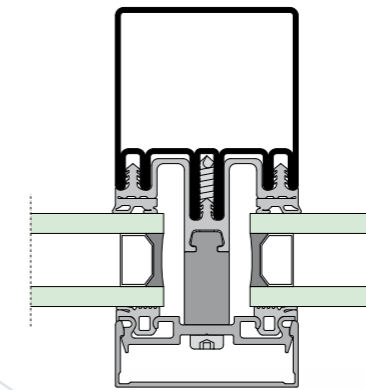
## Gaskets



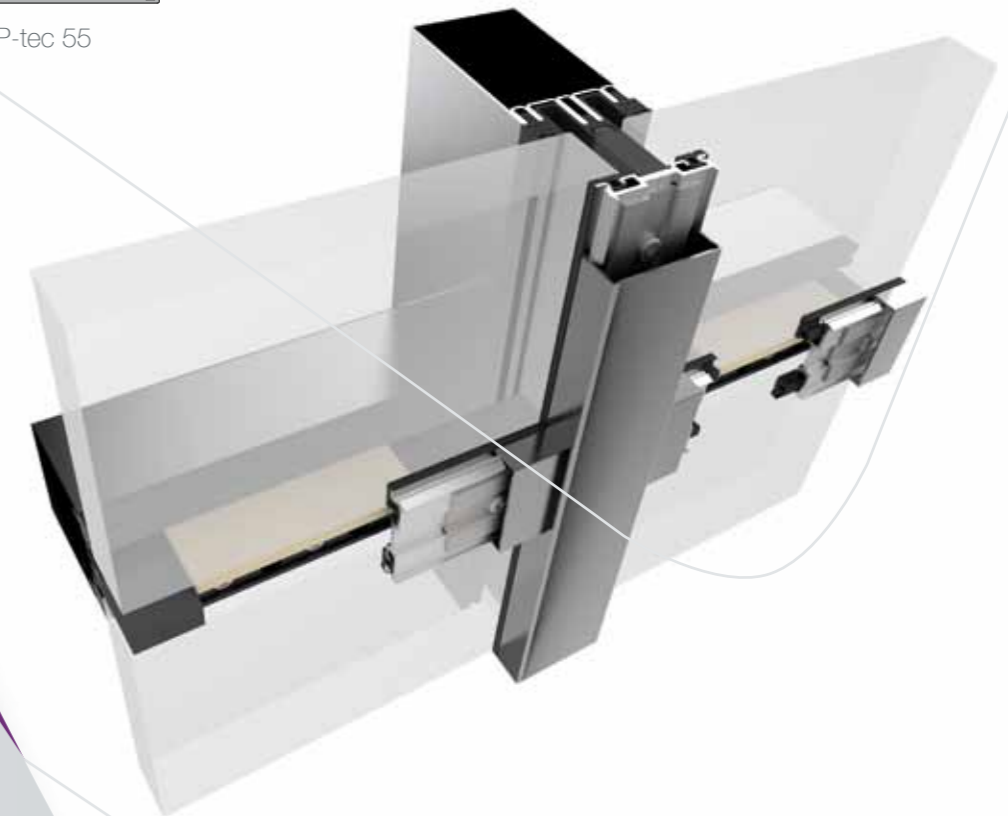
## Accessories



## System section



RP-tec 55



End digit 0 = steel S235JR, bright rolled, 6.000 mm  
 End digit 1 = aluminium EN AW 6060, state T66, 6.000 mm  
 End digit 2 = steel S280GD continuously hot-dip coated, 6.000 mm  
 End digit 3 = stainless steel, 1.4401 (316), surface raw material 2B, 6.000 mm  
 End digit 4 = stainless steel, 1.4401 (316), outer surfaces ground, size 400, foiled, 6.000 mm  
 End digit 5 = aluminium black, 6.000 mm

R = Delivery length 3.000 mm  
 \*) Price and Delivery on demand





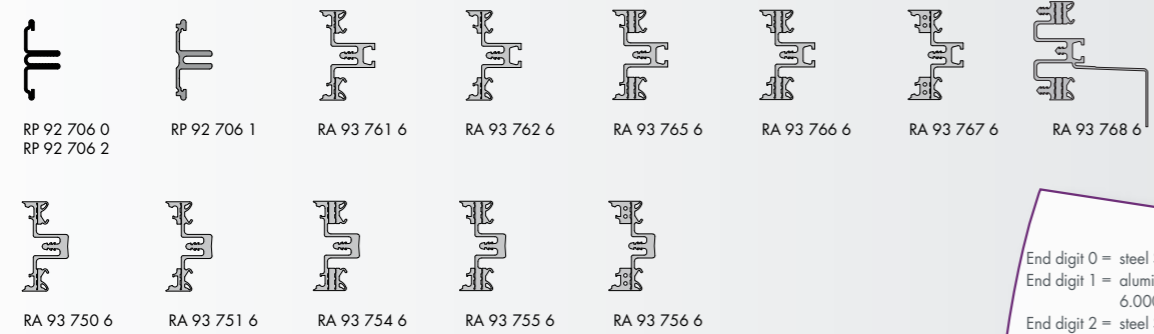
Narrow face widths and  
maximum load-bearing capacity:  
Multilateral system



# RP-tec 50-1 / 50-1 plus / 50-1 HA / 50-1 HA plus

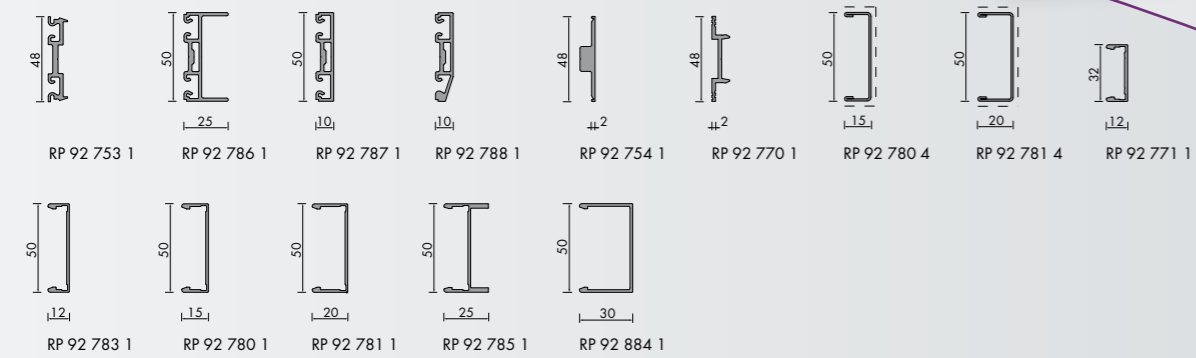
Steel add-on curtain walls, and wood and aluminium add-on curtain walls

## System sections

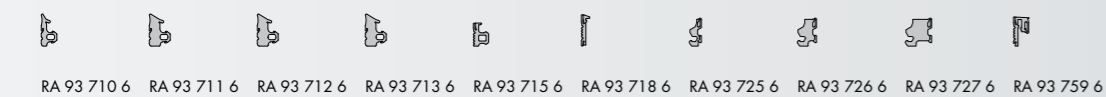


End digit 0 = steel S235JR, bright rolled, 6.000 mm  
 End digit 1 = aluminium EN AW 6060, state T66, 6.000 mm  
 End digit 2 = steel S280GD continuously hot-dip coated, 6.000 mm  
 End digit 3 = stainless steel, 1.4401 (316), surface raw material 2B, 6.000 mm  
 End digit 4 = stainless steel, 1.4401 (316), outer surfaces ground, size 400, foiled, 6.000 mm  
 End digit 5 = aluminium black, 6.000 mm  
 R = Delivery length 3.000 mm  
 \*) Price and Delivery on demand

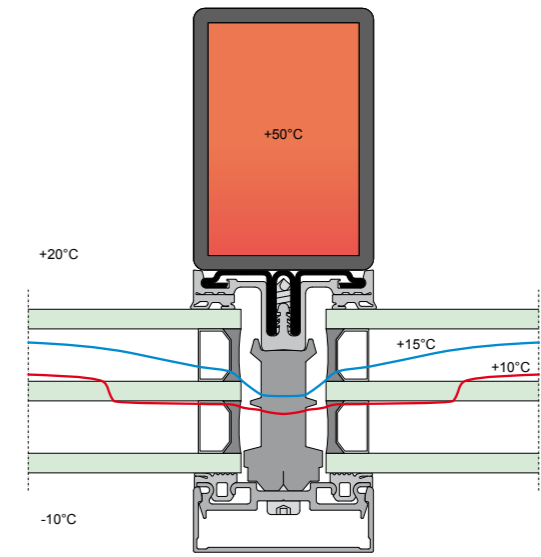
## Pressure profiles / cover profiles



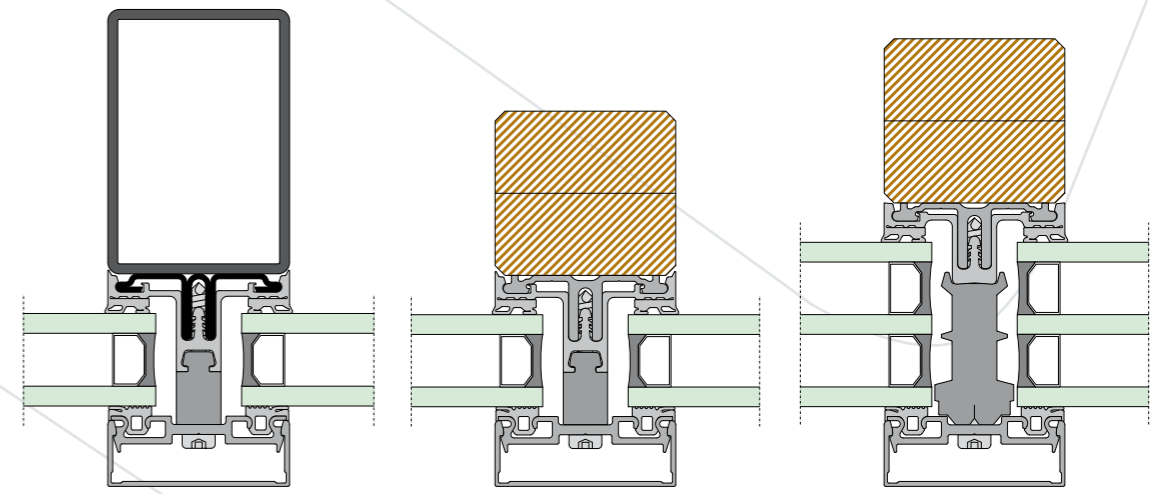
## Gaskets



## Accessories



Heated curtain wall  
RP-tec 50-1 plus, RP-tec 55-1 plus



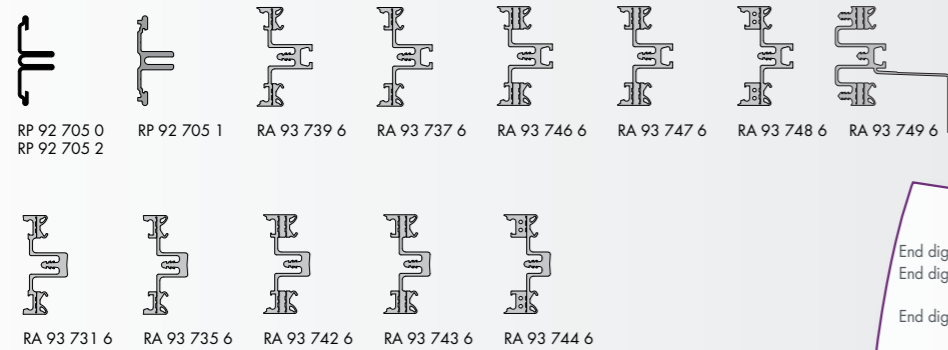
RP-tec 50-1

RP-tec 50-1 HA

RP-tec 50-1 HA plus

# RP-tec 55-1 / 55-1 HA / 55-1 HA plus

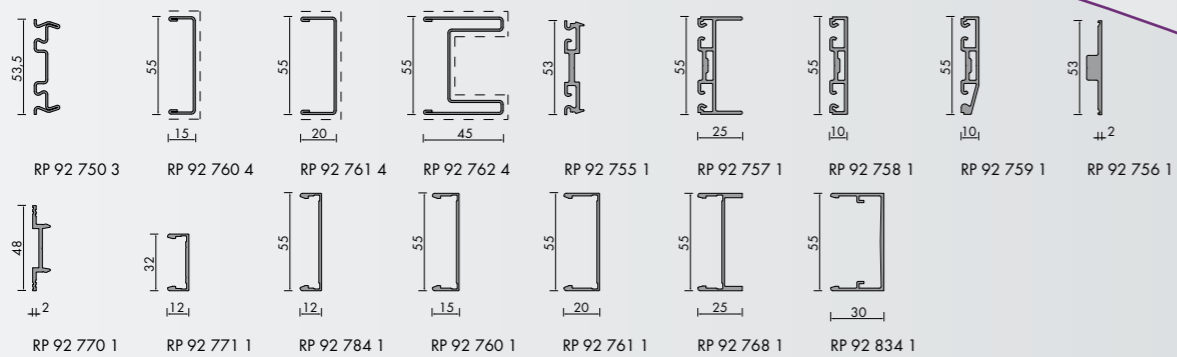
Steel add-on curtain walls, and wood and aluminium add-on curtain walls



End digit 0 = steel S235JR, bright rolled, 6.000 mm  
 End digit 1 = aluminium EN AW 6060, state T66, 6.000 mm  
 End digit 2 = steel S280GD continuously hot-dip coated, 6.000 mm  
 End digit 3 = stainless steel, 1.4401 (316), surface raw material 2B, 6.000 mm  
 End digit 4 = stainless steel, 1.4401 (316), outer surfaces ground, size 400, foiled, 6.000 mm  
 End digit 5 = aluminium black, 6.000 mm

R = Delivery length 3.000 mm  
 \*) Price and Delivery on demand

## Pressure profiles / cover profiles



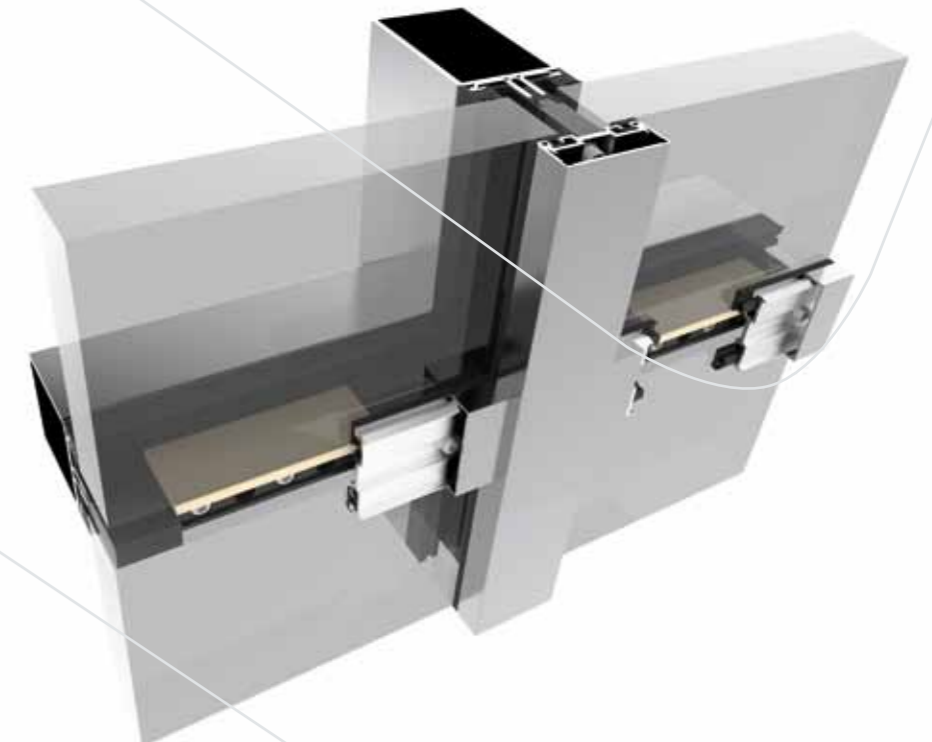
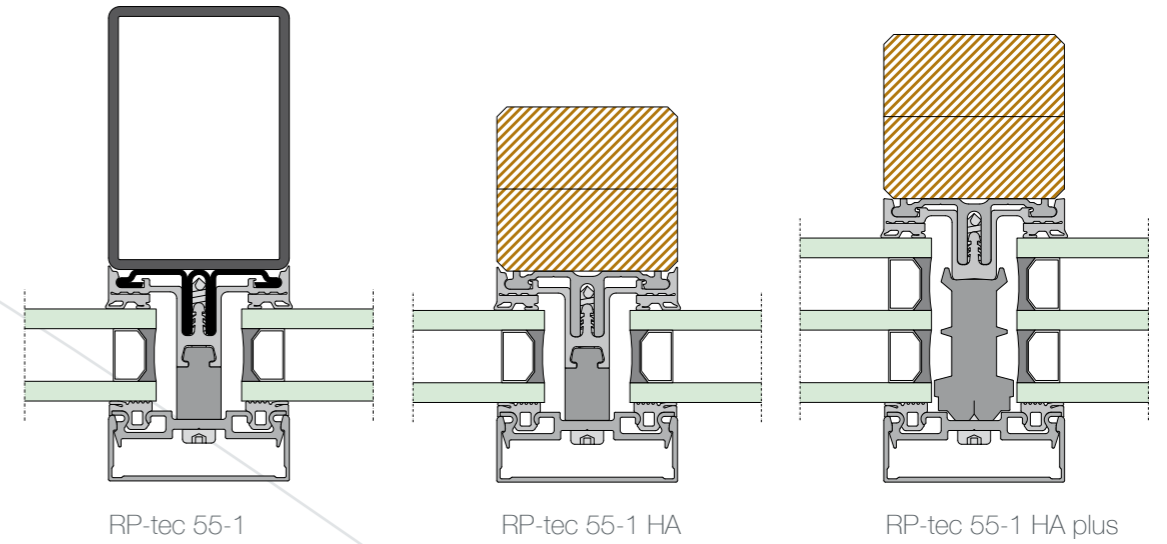
## Gaskets

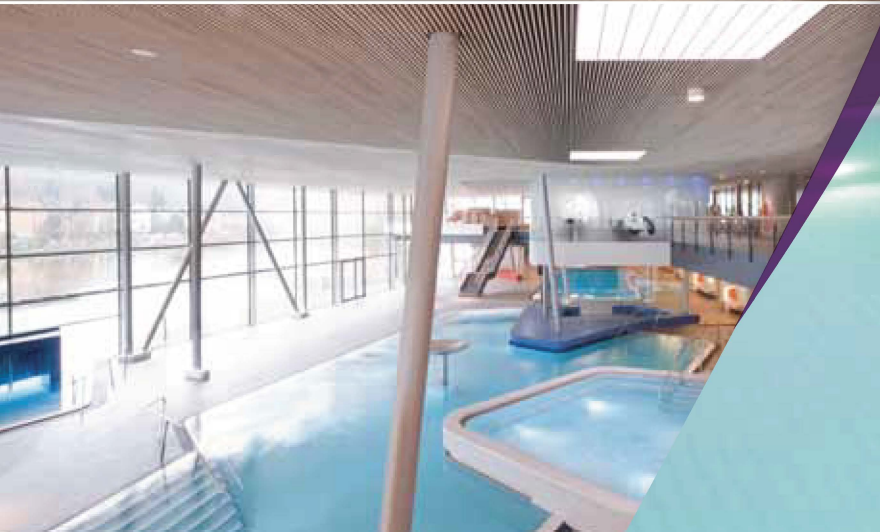


## Accessories



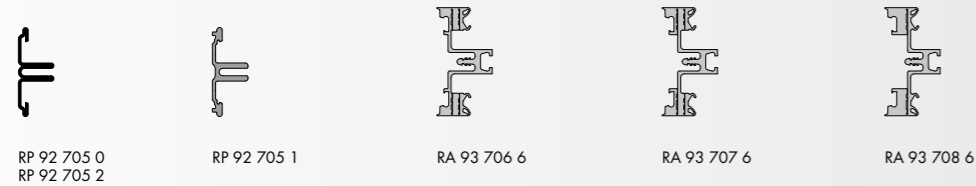
## System sections





# RP-tec 60-1 / 60-1 HA

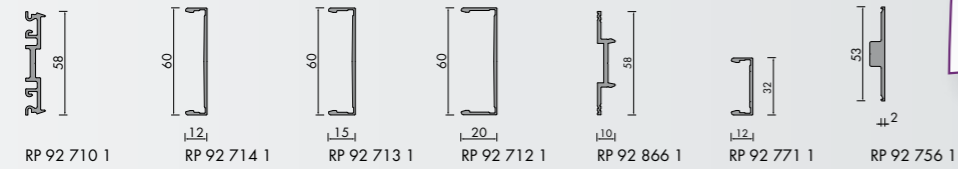
Steel add-on curtain walls, and wood and aluminium add-on curtain walls



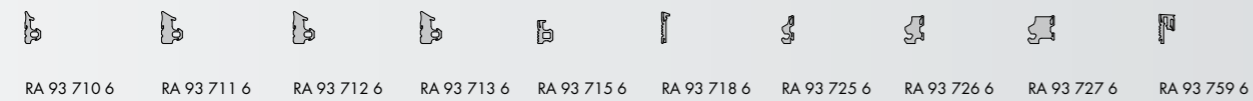
End digit 0 = steel S235JR, bright rolled, 6.000 mm  
 End digit 1 = aluminium EN AW 6060, state T66, 6.000 mm  
 End digit 2 = steel S280GD continuously hot-dip coated, 6.000 mm  
 End digit 3 = stainless steel, 1.4401 (316), surface raw material 2B, 6.000 mm  
 End digit 4 = stainless steel, 1.4401 (316), outer surfaces ground, size 400, foiled, 6.000 mm  
 End digit 5 = aluminium black, 6.000 mm

R = Delivery length 3.000 mm  
 \*) Price and Delivery on demand

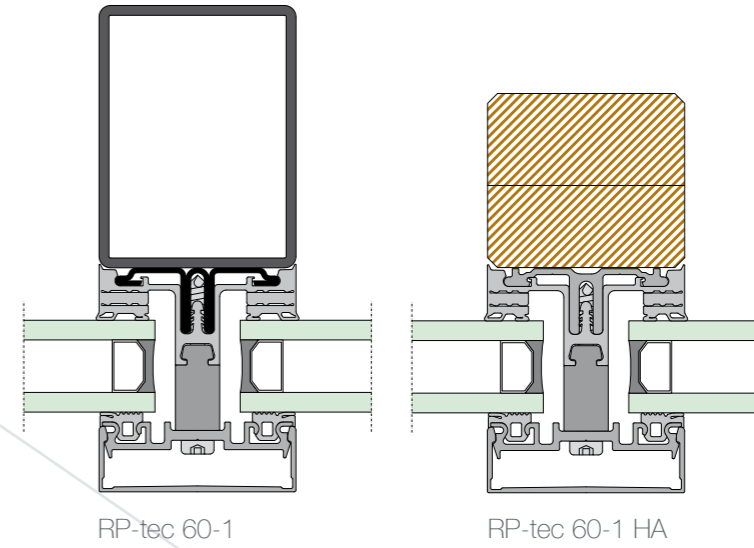
## Pressure profiles / cover profiles



## Gaskets

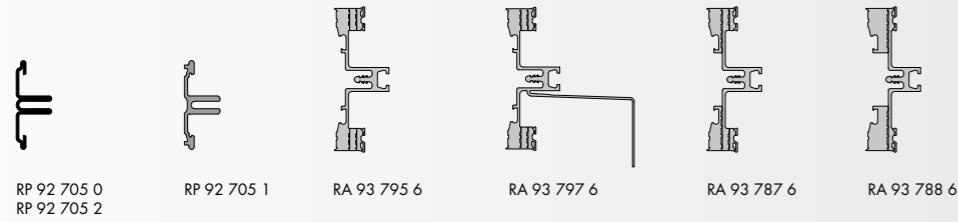


## System sections

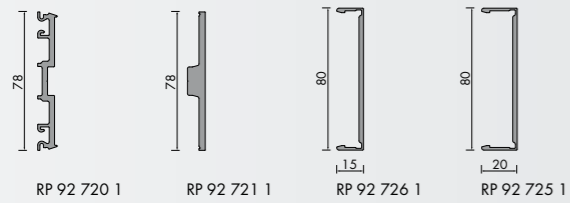


# RP-tec 80-1 / 80-1 HA

Steel add-on curtain walls, and wood and aluminium add-on curtain walls

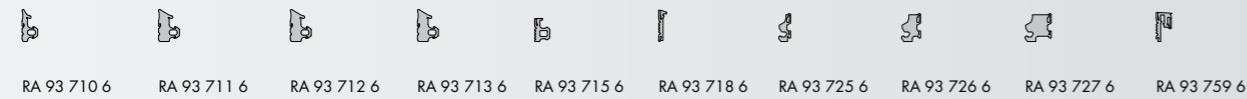


## Pressure profiles / cover profiles

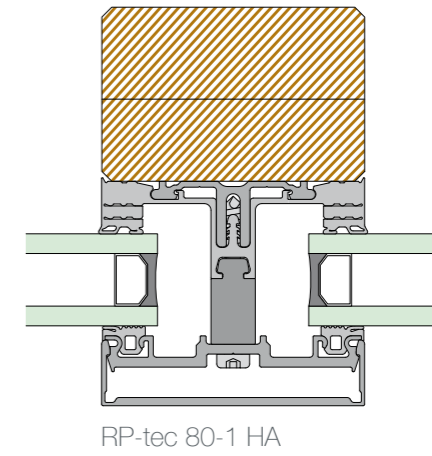
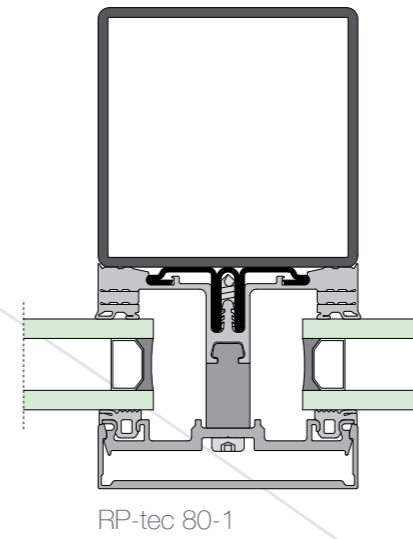


End digit 0 = steel S235JR, bright rolled, 6.000 mm  
 End digit 1 = aluminium EN AW 6060, state T66, 6.000 mm  
 End digit 2 = steel S280GD continuously hot-dip coated, 6.000 mm  
 End digit 3 = stainless steel, 1.4401 (316), surface raw material 2B, 6.000 mm  
 End digit 4 = stainless steel, 1.4401 (316), outer surfaces ground, size 400, foiled, 6.000 mm  
 End digit 5 = aluminium black, 6.000 mm  
 R = Delivery length 3.000 mm  
 \*) Price and Delivery on demand

## Gaskets



## System sections



# RP-tec VARIO

## Accessories



RA 93 781 6 - RA 93 785 6



RA 675 415



RA 686 980

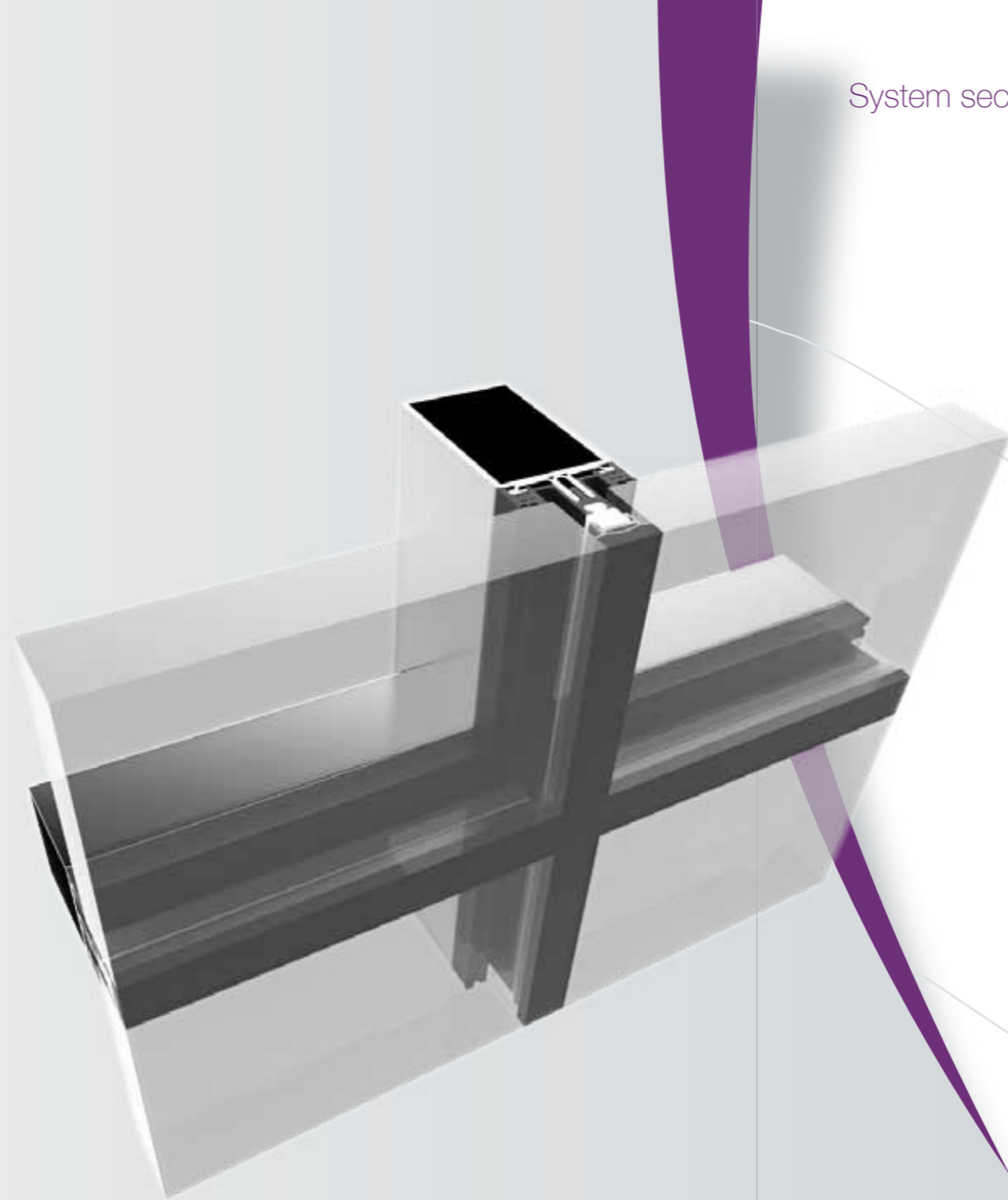
## Gaskets



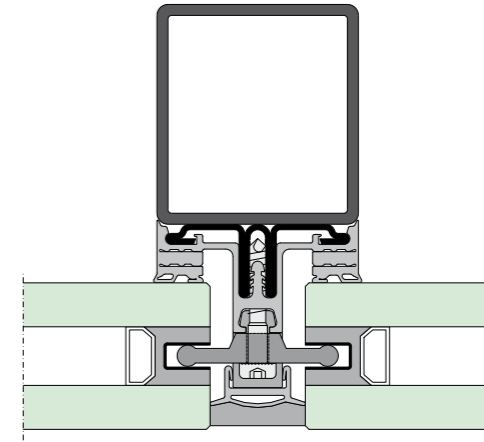
RA 93 723 8



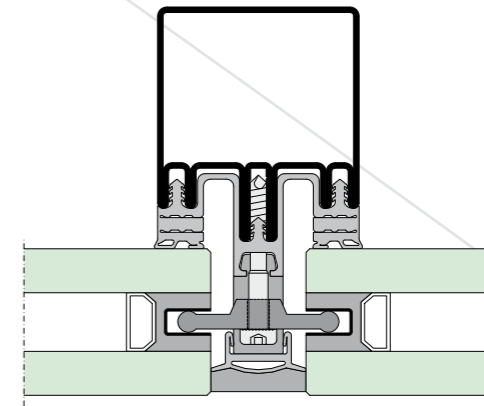
RA 93 724 8



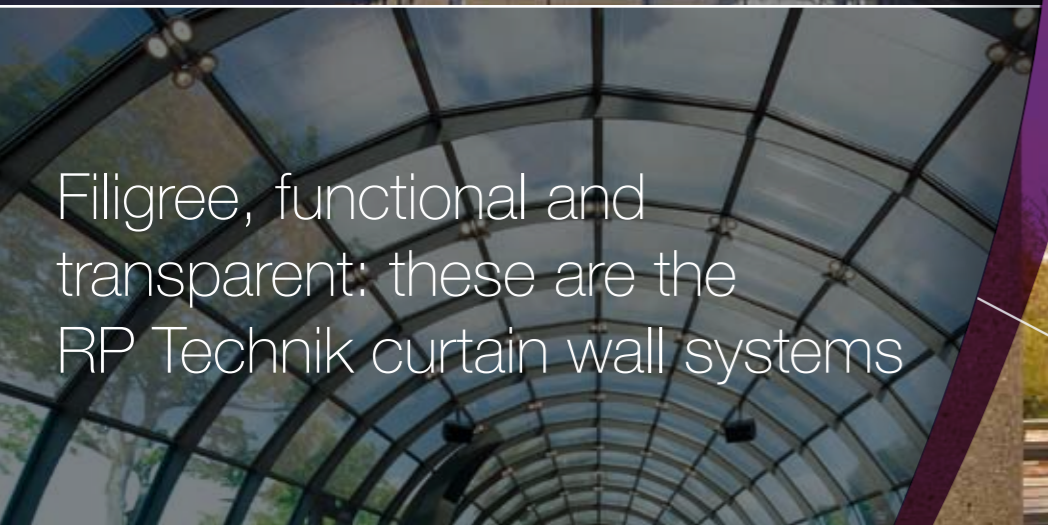
## System sections



RP-tec VARIO -  
in combination with a steel add-on curtain wall



RP-tec VARIO -  
in combination with a mullion-transom curtain wall system



Filigree, functional and transparent: these are the RP Technik curtain wall systems







# METAL FORM™

[www.metalform.uk](http://www.metalform.uk)